

PICNIC SETS

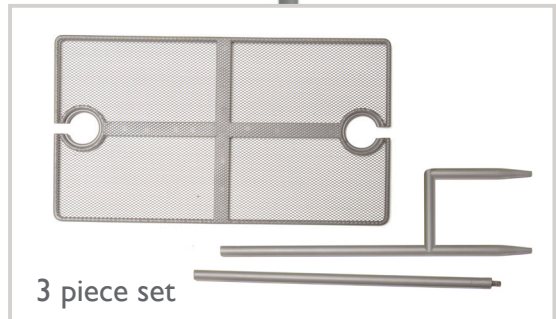
Picnic Stake Set

- Includes two 12" stemware stakes and one bottle stake adjustable to 12" or 18"
- Footed bottle stake design for soil or sand
- Packaging height only 7"
- Boxed



Picnic Wine Table

- Includes table top, ground pole and pole extension
- Table top is adjustable to a 18" or 36" height
- Ships flat



Item #	Description	UPC	Case	Wholesale	MSRP	Quantity
103201	Picnic Stake Set	028588032015	4	\$13.50	\$27.00	
103205	Picnic Wine Table	028588032053	2	\$12.50	\$25.00	